

# MCWN "NINJA" SERIES SUSPENDED CRANE SCALES



MCWNT6RF

COMPACT!  
ONLY 363 mm



Easy to use and reliable professional digital crane scales, for weighing in industrial environments, fitted with storage case. Thanks to their compact size, the MCWN crane scales just slightly reduce the lifting distance of the crane. Available also CE-M APPROVED. The MCWN crane scales are standard fitted with a radio frequency communication module, for connection to PC, remote printer, or weight repeater.

## MAIN FEATURES

- 25 mm LCD backlit display, easily visible in any lighting condition;
- Fitted with upper and lower shackles;
- Compact size and minimum distance between upper and lower shackle;
- Precision: +/- 0.03% on F.S.;
- 5-key waterproof keypad: Zero, Automatic or manual Tare, Mode, Print, On/Off;
- Sturdy case in oven-fire painted steel;
- Fitted with 868MHz multipoint radio frequency module, for connection to remote printer, PC, or weight indicator/repeater of one or more crane scales. Maximum communication distance in adequate conditions is 70m indoors and 150m outdoors;
- Fitted with remote control for a distance of up to 8m. The remote control can be configured by the customer as a single automatic tare or as a 4-key remote keypad;
- Power supply through 4 AA batteries, which may be rechargeable, operating time of about 40 hours (without radio frequency communication);
- Digital calibration and programmable Set-Up directly from the keypad or from the PC with Dinitools;
- Programmable digital filter and auto switch-off;
- Operating temperature: -10 /+40 °C;
- RS232 serial port on the RJ45 connector for quick programming with Dinitools;
- Fitted with storage case with dimensions of: 41x26x24 cm.

## AVAILABLE FUNCTIONS

- Radio frequency Weight transmission, also approved with the Alibi Memory option
- Weighs accumulation.
- +/- check.
- Weigh percentile.
- Counting.
- Input/Output.
- Hold, for freezing the weight on the display.
- Peak, for identifying the weight peaks.
- X 10 high resolution visualisation.
- Net/Gross or lb/kg conversion.

## OPTIONS AVAILABLE ONLY AT TIME OF ORDER

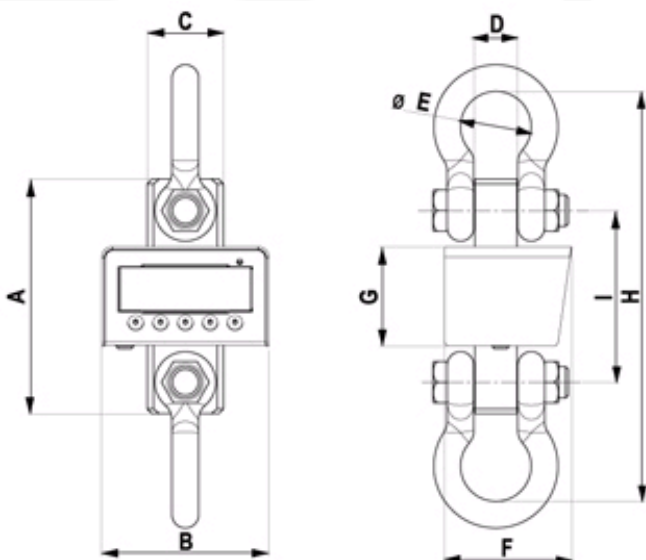
- **NOTE: Options to be specified at time of order, not available separately.**
- Remote radio frequency weight indicator/repeater, for use up to 70m indoors in adequate conditions, with attached printer or other accessories (see DFW.., 3590.., TRS.., DGT60.. series' weight indicators);
- Real Time Clock;
- Alibi memory;
- Remote labeller or thermal printer.

## DIMENSIONS IN MM

- Dimensions in mm:

	A	B	C	D	E	F	G	H	I
MCWNT6	226	175	59	37	58	133	104	363	170

**NOTE: All the versions are supplied with a certificate of calibration, which is executed with sample weights on the whole capacity range.**



dimensions in mm



Fitted with storage case.

### Available versions

Code	Max Capacity kg	Standard Division kg	CE-M Division kg
MCWNT6RF	1500/3000/6000	0,5/1/2	--
MCWNT6MRF <b>M</b>	1500/3000/6000	--	1/2/5
MCWNT10RF	3000/6000/9500	1/2/5	--
MCWNT10MRF <b>M</b>	3000/6000/9500	--	2/5/10

### Indicator connectable with MCW through optional radio transmission

Code	Description
DFWPM	Portable radio frequency weight repeater, for DFW indicators and MCW crane scales. Handy, compact, easy to use and consult.
DFWPMUSB	Portable radio frequency weight repeater, for DFW indicators and MCW crane scales. Handy, compact, easy to use and consult. Fitted with USB port for quick connection to PC.

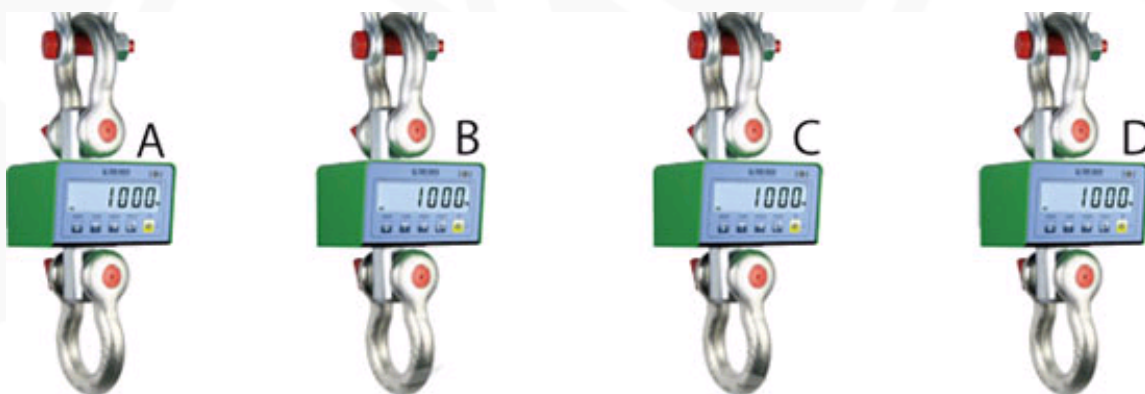
### Options only available at time of order

Code	Description
EHR	High resolution model for internal factory use
OBRFUSB	868MHz radio frequency module for PC with USB input, selfpowered, connectable to USB ports. Fitted with USB connection cable. Max. functioning distance in appropriate conditions: 70m indoor, 150m outdoor. 50 available channels, easily programmable from the PC.
OBRF232	868 MHz radio frequency module for PC with RS232 9-pole input, connectable to RS232 ports. Fitted with connection/power supply cable. Max. functioning distance in appropriate conditions: 70m indoors, 150m outdoors. 50 available channels, easily programmable from PC.
DFCLK	Real Time Clock (Time/date)
ALMEM	Alibi memory (fiscal memory) with time/date; max. 120.000 weighs

### Accessories

Code	Description
GG1T5	Swivelling bottom hook with safety lock 1.5 t
GG7	Swivelling bottom hook with safety lock 7 t
GG15	Swivelling bottom hook with safety lock 15 t
CA2	Connection ring 2.5 t
CA8	Connection ring 8 t
CA15	Connection ring 15 t
TECMAN	Printed technical manual (free, if downloaded from the web) NET PRICE
UMAN	Printed user manual (free, if downloaded from the web) NET PRICE

**Application example with DFWPM repeater and 4 MCWNT6RF, connected in radio frequency; the repeater can view the weight of the single crane scale or the sum.**





A\B\C\D  
or  
A+B+C+D