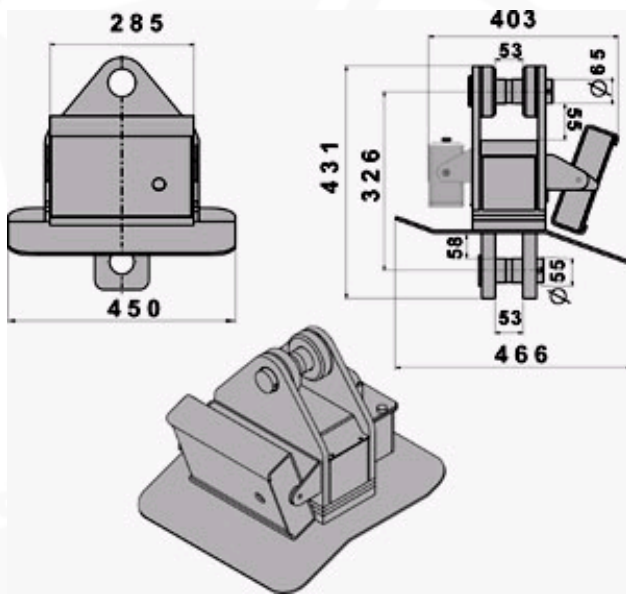


MCW ATEX SUSPENDED CRANE SCALES



MCWATEX with optional ring and swivelling hook



MCWATEX - dimensions in mm

Industrial crane scales for use in areas classified as hazardous (Zone 1 and 2) in accordance with Ex II 2G IIC T4 X protection.

LITTLE SPACE IS TAKEN UP allowing the best use of the lifting devices.

Predisposed for an upper connection ring and lower hook.

MAIN FEATURES

- Indicator with 16-key waterproof functional keyboard and fitted with **CESI 04 ATEX 102 EC-Type-Examination certificate**.
- LCD display with 6 25-mm high contrast digits and icons for showing the active functions.
- Precision: $\pm 0.03\%$ F.S.
- Built extremely sturdy in oven-fire painted sheet steel.
- Digital set-up and calibration programmable directly from keyboard using a sample weight.
- Operating temperature: $-10 / +70$ °C.
- Programmable digital filter and auto power saving function.
- Hermetically sealed rechargeable battery, with 160-hour operating time; rechargeable in safe area.
- Equipped with 230Vac 50 Hz battery charger to be used in safe area.

FUNCTIONS

- **KEYBOARD:** Zeroing, Automatic Tare, Presetable Tare, ID1 and ID2 10-digit Codes, Print and data transmission commands, selectable function command, on/off switching
- **SELECTABLE FUNCTIONS:** Simple display and/or with sensitivity HR x 10, Net/Gross, Input/Output, Weighs accumulation (with up to 10 storage values). Tare database (up to 10), Formula weighing, Counting (Max. Resolution of 1.500.000 divisions) with function of entering the known A.P.W., lb/kg conversion, Hold, Set-point on gross weight, set-point on net weight.

OPTIONS ONLY AVAILABLE AT TIME OF ORDER

- Rechargeable battery pack

Available versions

Code	Max Capacity kg	Division kg
MCWATEX6	6000	1
MCWATEX10	10000	2
MCWATEX15	15000	2
MCWATEX25	25000	5
MCWATEX35	35000	10

Options only available at time of order

Code Description

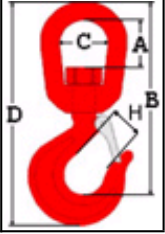
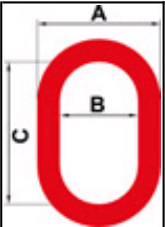
DFWBP76ATEX Rechargeable ATEX battery pack, for weight indicator, pallet truck scale, or crane scale.

NOTE: in the applications with the weight indicator mounted on a column or cart, the installation requires the STFA bracket.

Accessories**Code Description**

GG15	Swivelling bottom hook with safety lock 15 t
GG22	Swivelling bottom hook with safety lock 22 t
GG30	Swivelling bottom hook with safety lock 30 t
CA15	Connection ring 15 t
CA30	Connection ring 30 t
CA40	Connection ring 40 t
UKPLUG	Power adapter from Schuko to BS1363.
TECMAN	Printed technical manual (free, if downloaded from the web) NET PRICE
UMAN	Printed user manual (free, if downloaded from the web) NET PRICE

MEASUREMENTS OF HOOKS AND RINGS IN MM

	Code	A	B	C	D	H
	GG15	95	354	96	455	63
	GG22	121	432	120	565	80
	GG30	133	568	139	667	88
	Code	A	B	C		
	CA15	174	110	200		
	CA30	270	180	340		
	CA40	292	190	350		